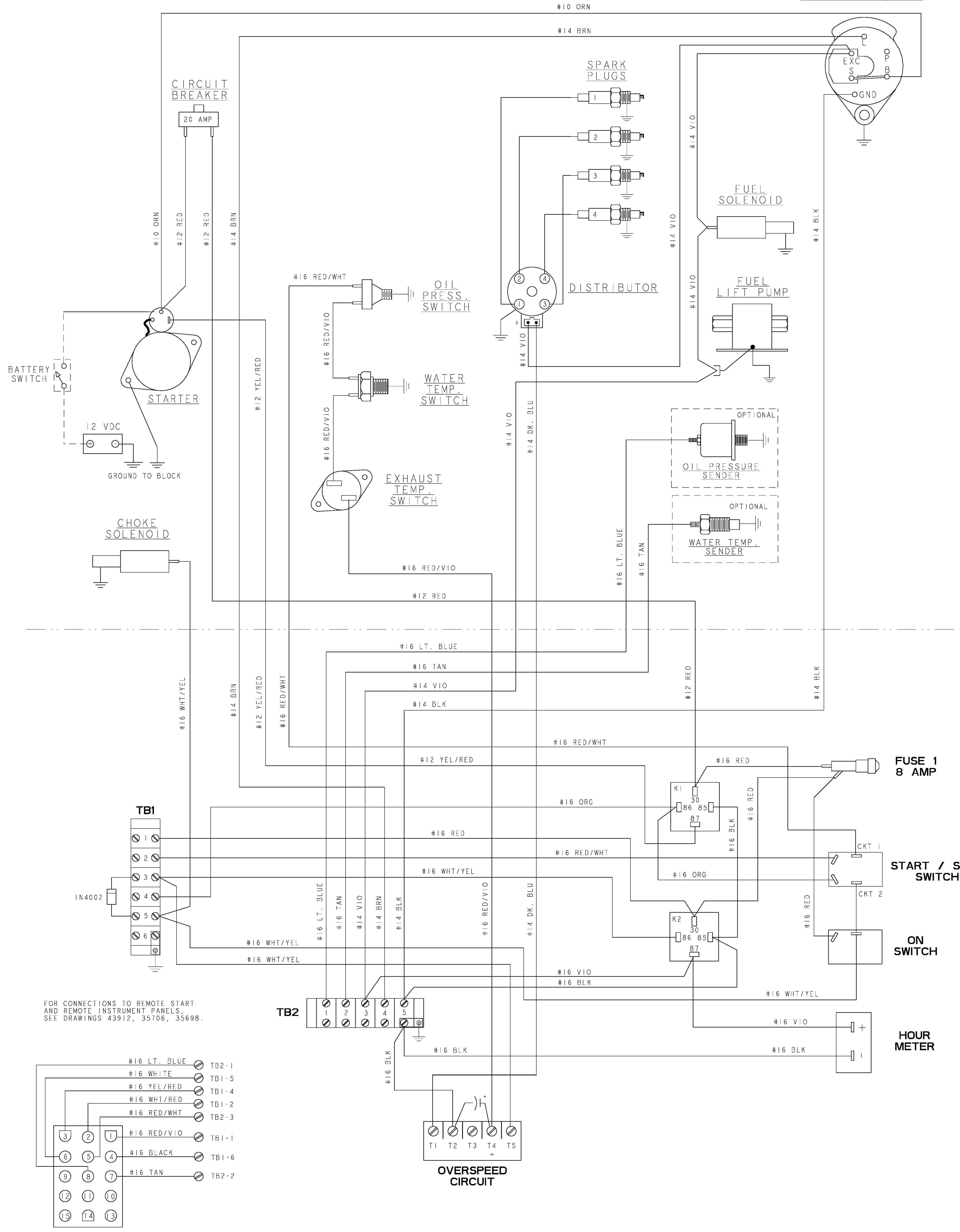
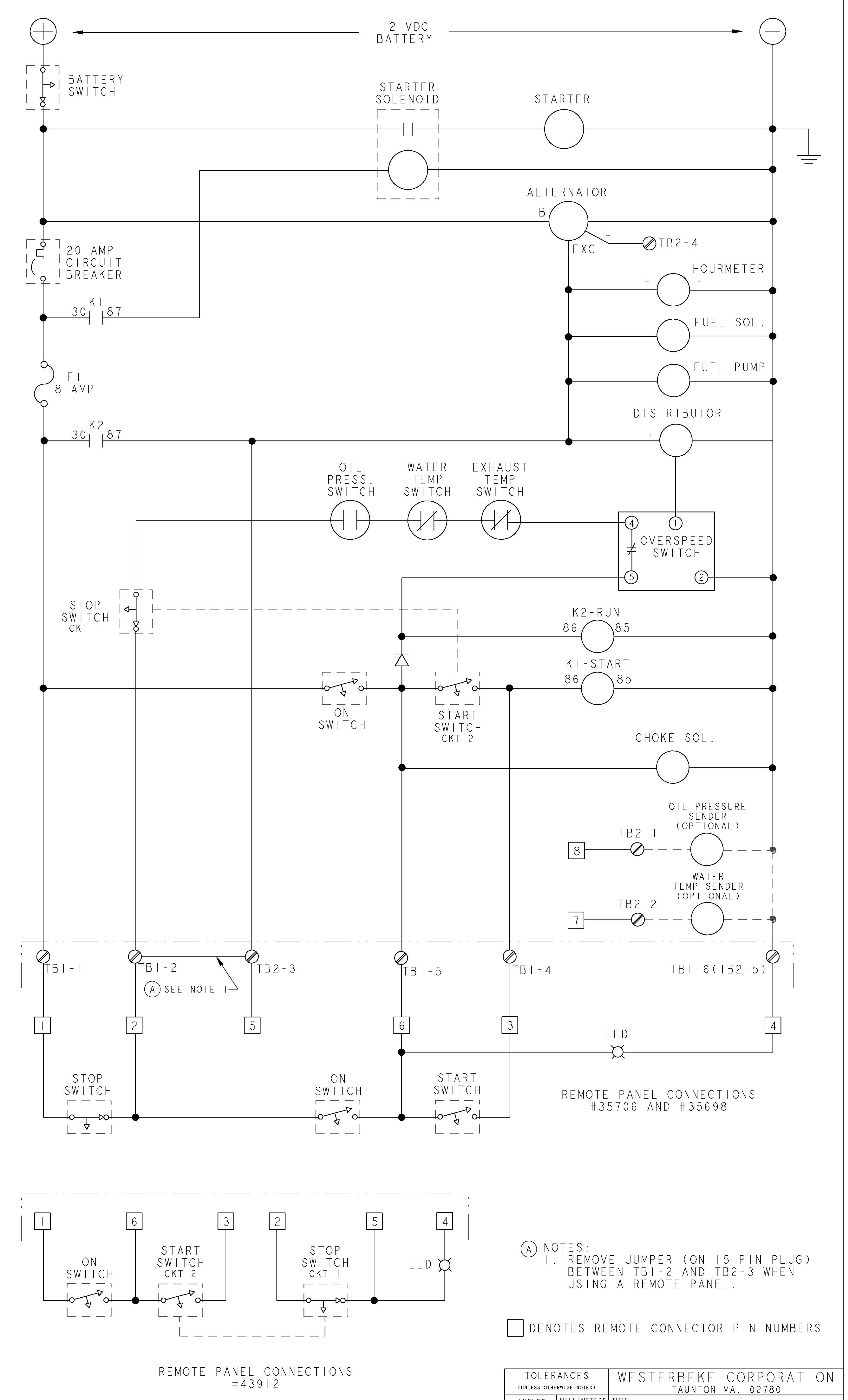
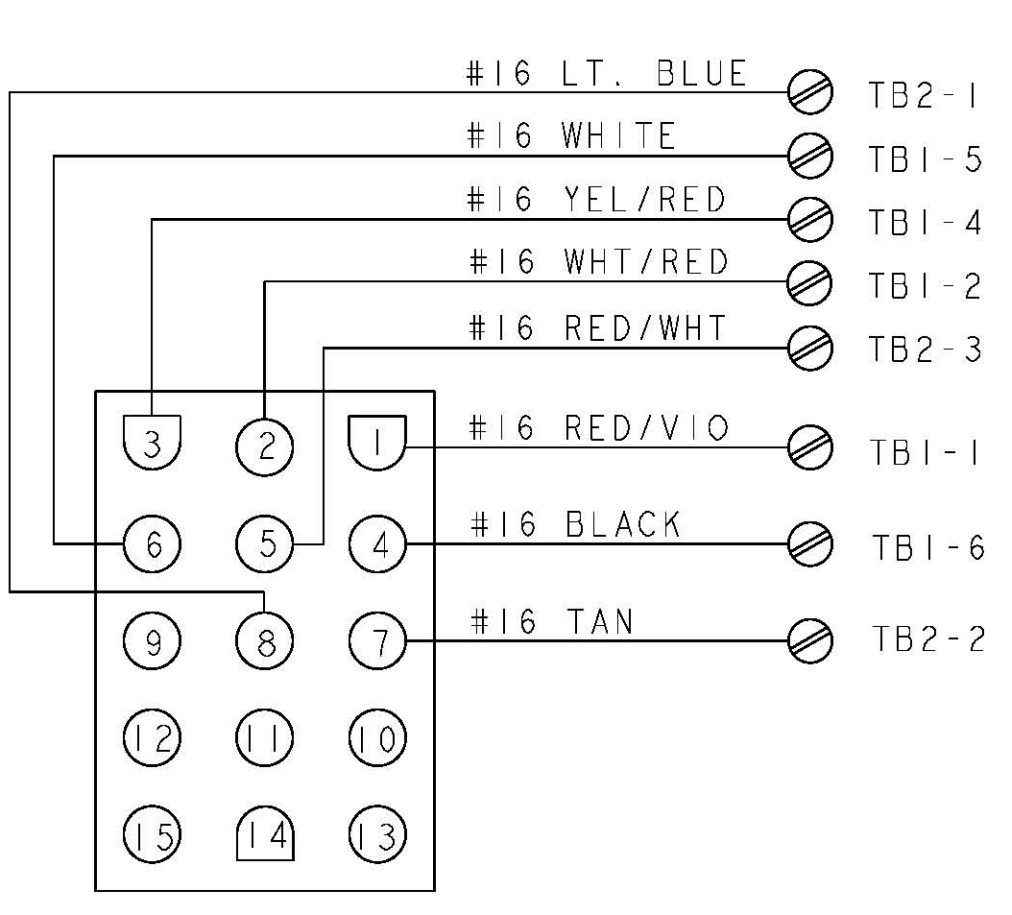


ALTERNATOR, 50A



FOR CONNECTIONS TO REMOTE START AND REMOTE INSTRUMENT PANELS, SEE DRAWINGS 43912, 35706, 35698.



(A) NOTES:
1. REMOVE JUMPER (ON 15 PIN PLUG) BETWEEN TB1-2 AND TB2-3 WHEN USING A REMOTE PANEL.

□ DENOTES REMOTE CONNECTOR PIN NUMBERS

REMOTE PANEL CONNECTIONS #43912

TOLERANCES (UNLESS OTHERWISE NOTED)		WESTERBEKE CORPORATION TAUNTON MA. 02780	
INCHES XX XXX CAST FINISH	MILLIMETERS X XX XX XX	TITLE WIRING DIAGRAM GASOLINE GENSETS, 8-15 BEG	
DRAWN BY DATE		APPROVED BY DATE	
DIMENSIONS INCHES MILLIMETERS		SCALE NONE	
OTHER APPLICABLE:		SHEET 1 OF 1	
		SIZE DRAWING NUMBER MATERIAL	
		E 46094 A	